

EN **MyALARM2-2**
Advanced GSM/GPRS device
for the telecontrol

Installation Manual

- Contents:**
- General features
 - Technical specifications
 - Installation
 - Constructive elements
 - Terminal connections
 - LEDs signalling
 - Front view and lateral left side view
 - Options



The product MyAlarm2 contains a GSM-GPRS module with the following characteristics:

General features:

- Quad-Band 850/ 900/ 1800/ 1900 MHz
- GPRS multi-slot class 10/8
- GPRS mobile station class B
- Compliant to GSM phase 2/2+
- - Class 4 (2 W @850/ 900 MHz)
- - Class 1 (1 W @ 1800/1900MHz)
- Specifications for Fax
- Group 3, class 1
- Specifications for Data
- GPRS class 10: max. 85.6 kbps (downlink)
- PBCCH support
- Coding schemes CS 1, 2, 3, 4
- CSD up to 14.4 kbps
- USSD
- Non transparent mode
- PPP-stack
- Specifications for SMS via GSM/GPRS
- Point to point MO and MT
- SMS cell broadcast
- Text and PDU mode

SENECA s.r.l.
Via Austria, 26 - 35127 - PADOVA - ITALY
Tel. +39.049.8705355 - 8705359 - Fax +39.049.8706287
For manual and configuration softwares, see www.seneca.it

This document is property of SENECA srl. Duplication and reproduction are forbidden, if not authorized. Contents of the present documentation refers to products and technologies described in it. All technical data contained in the document may be modified without prior notice. Content of this documentation is subject to periodical revision.

GENERAL FEATURES

- GSM/GPRS module for civil and industrial applications for domotics and safety: alarm management system, datalogger
- Display LCD 128 x 32 Dots
- Lithium-ion rechargeable battery, autonomy up to: 16 h
- Nr.4 digital inputs (available on the internal s)
- Nr.2 analog inputs V / mA (available on the internal terminals)
- Nr.1 GSM antenna, replaceable on SMA connector
- Button for power on / off and button for display scrolling
- LED for displaying: power supply / device status, GSM status
- SIM plug in (for SIM card with dimensions: 15 x 25 mm)
- Mini USB plug in, to recharge the internal battery and to configure the module
- Micro SD card input
- Internal GPS module (optional board)
- Nr.2 relay digital outputs (optional board)

TECHNICAL SPECIFICATIONS

Board base	
Digital inputs	Number: 4 Max frequency: 30 Hz Type: Reed, contact, PNP, Pulscap Threshold OFF: 0 - 2 Vdc, I < 1 mA Threshold ON: 12 - 24 Vdc, I > 3 mA
Analog inputs	Number: 2 Type: voltage (0..30V) / current (0..20 mA), programmable; accuracy: 0.1% of end scale
Voltage output	+12 Vdc @ 50 mA (max)
Internal temperature sensor	Number: 1 Type: NTC
USB	micro USB for configuration and battery charge
Display	LCD 128 x 32 Dots Visible area 39 mm x 8.6 mm
Micro SD	Type: push-push For SD card and SD HC card Memory SD CARD: max 32 Gb
SIM	Type push-push
GSM features	Quad band (850 / 900 / 1800 / 1900 MHz)

GPS board (optional)

GPS features	Number of channels: 42 Sensitivity - tracking: -160 dBm; -autonomous acquisition: -143 dBm Time to first fix - hot start: 5 s; -cold start: 30 s (at -130 dBm)
--------------	--

Relay board (optional)

Digital outputs	Number: 2 Type: relay 3 A max (for common) - 250 V SPST
-----------------	--

CPU & memories

Microprocessor	ARM @ 100 MHz, 32 bit
Internal memories	128 kByte RAM 512 kByte + 2 Mbyte (log) FLASH Micro SD card: max 32 Gbyte (for micro SD and micro SD HC card)
Input for external memories	

Power supply

Power supply	6 - 15 V=, 500 mA Max.
Consumption	Max 3.5 W
Internal battery	lithium ions 3.7 V - 1000 mAh, rechargeable not replaceable. Dimensions: 53 mm x 34 mm x 6 mm

Environmental condition

Temperature	Operation with External powersupply temperature comprised between -20 and +60°C. Operation with battery (charged) temperature comprised between -20 and +60°C. N.B.: For battery protection, the charging only takes place at a temperature comprised between 0 and 45°C
Humidity	30 - 90% without condensing
Storage Temperature	from -20 °C to +20 °C < 1 year from -20 °C to +45 °C < 3 months from -20 °C to +60 °C < 1 month
Degree protection	IP20

Connections

Connections	Terminals, pitch 3,5 mm Push-push slot for SIM card Mini USB plug in Push-push slot for micro SD card SMA connector for GSM antenna
-------------	---

Box / Dimensions


Dimensions	L: 80 mm; H: 108 mm; W: 32 mm
Case	Polycarbonate/ABS
Weight	150 g (about)

Included elements








12 Vdc-power supply (connection via terminals), GSM antenna, installation manual, USB cable, Nr.2 screws, Nr.2 dowels, support.

Standards

The module complies with the following standards:

	ETSI EN 301 489-7 (electromagnetic compatibility and radio spectrum matters ERM; electromagnetic compatibility EMC standard for radio equipment and services) EN 301 511 EN 301 489-1 IEC/EN 60950
---	---

Symbols on case

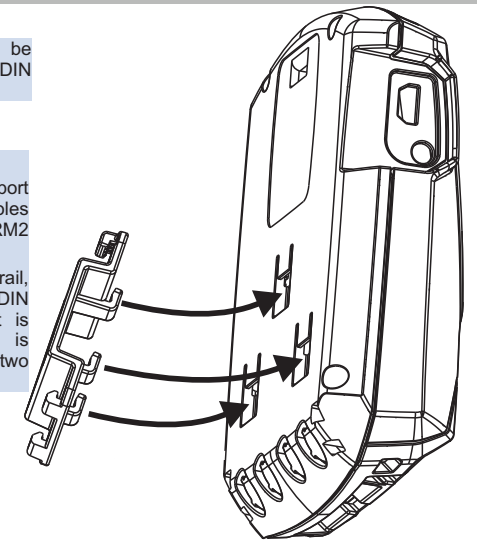
	Power button (PWR)		SIM CARD plug-in
	GSM antenna		Micro SD CARD plug-in
	Scroll display button (SCR)		Internal GPS antenna (optional board)
			Mini USB plug-in

INSTALLATION

The module is designed to be installed, in vertical position, on DIN 46277 rail too.

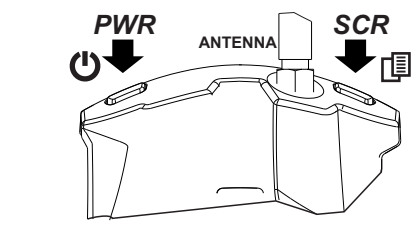
Inserting in the DIN rail

- How the picture shows:
- 1) Insert the three hooks of support into the corresponding three holes in the bottom side of MyALARM2 case;
 - 2) To fix the module in the DIN rail, hook the omega support in the DIN rail. Alternatively, the support is provided with two holes: it is possible the wall fixing using two screws.



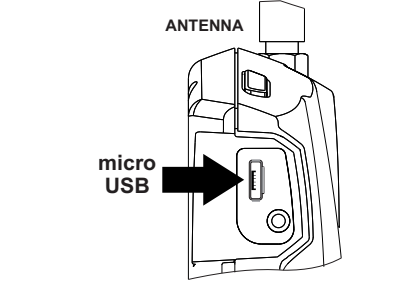
CONSTRUCTIVE ELEMENTS OF MYALARM2

The MyALARM2 is delivered in "shipping mode". In this way the battery isn't unnecessarily discharged during storage and shipping. **When you turn ON the MyALARM2, for the first time, apply power externally by USB port or by the included power supply. Please don't use the PWR button.** Following this procedure the MyALARM2 can exit from "shipping mode". **Warning:** When you turn ON the MyALARM2 for the first time, the device must be supplied without any interruptions for at least 4 hours in order to charge the internal batteries. **Button for power on / power off and button for settings**



The MyALARM2 has the PWR button, placed in the upper left side (front view). Pressing of this button allows to power on / off the module. To power off the module, keep pressed the PWR button for a few seconds. Moreover the MyALARM2 has the SCR button, placed in the upper right side (front view). Pressing of this button allows to scroll the display parameters.

USB port and power supply



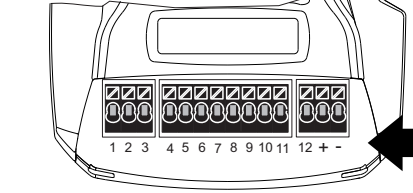
The MyALARM2 has a micro USB plug in, placed on the left side of case: it can be used to configure the MyALARM2, to perform the firmware upgrading and to recharge the internal battery from PC. In alternative, it is possible to recharge the internal battery, using:
- the power supply (an accessory, no supplied with MyALARM2) using USB plug in or, in alternative
- the 12 V - power supply (supplied with MyALARM2), connecting wires with terminals + and - (GND).

Note about the MyALARM2 functioning

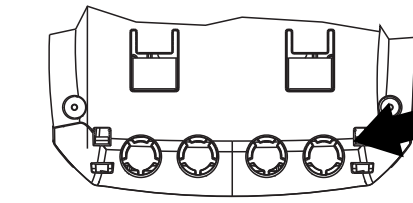
AUTO POWER-OFF. If the MyALARM2 displays «LOW BATT», its internal battery is running low: after 60 seconds, the MyALARM2 turns off automatically. To recharge the battery to an appropriate value, power on the MyALARM2 using one of the recommended cables.

POWER SUPPLY BY USB CABLE. The MyALARM2 power supply that uses USB port is not suitable for permanent installations, or installations in which are used relays and/or digital inputs. In these cases, supply the MyALARM2 using the 12 Vdc-power supply (it is an included element).

Terminals

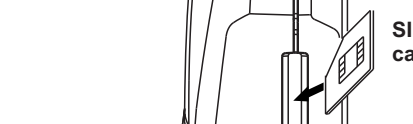


The MyALARM2 has 14 terminals in the internal part of case. To use these terminals, lift and remove the cover placed in the inferior part of MyALARM2. In the figure on the side, the cover has been removed.



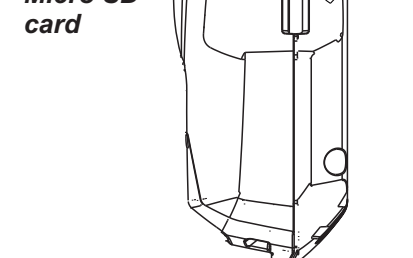
IMPORTANT: it is forbidden the mobile cabling; conveying the cables correctly. To place with order and safety the cables outdoors from the terminals, use the four **removable cable runways** at the rear of the case. When wiring is completed, replace the cover to protect cables from accidental contact.

SIM card



The MyALARM2 has a SIM plug in, placed in the lateral right side of the case. To insert the SIM card in the corresponding connector, ensure that the card is oriented with metal contacts towards the left (with reference to the figure).

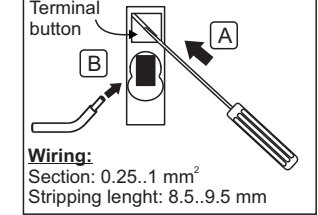
Micro SD card



The MyALARM2 has a SD card plug in that can be used for data logging and updating MyALARM2 firmware. The micro SD card plug in is placed in the lateral right side of the case. To insert the SD card in the corresponding connector, ensure that the card is oriented with metal contacts towards the left (with reference to the figure).

TERMINALS CONNECTIONS

The MyALARM2 has digital inputs, analog inputs, relay outputs (optional) and a +12 Vdc output available from the terminals. The terminal block is inside the case, can be used by raising the cover placed in the lower part. To insert a cable in a terminal, plug into the hole the stripped end of the cable directly (exerting a sufficient pressure); in alternative, for thin wires, use a flatblade screwdriver (figure in the lower left):
1) insert the tip of screwdriver in the diagonal fissure of the terminal button;
2) press the screwdriver downwards (A);
3) while pressing the screwdriver, insert the cable into the hole (B);
4) release the screwdriver.
To remove a cable is necessary to press downwards the screwdriver into the diagonal fissure while pulling out the cable itself.

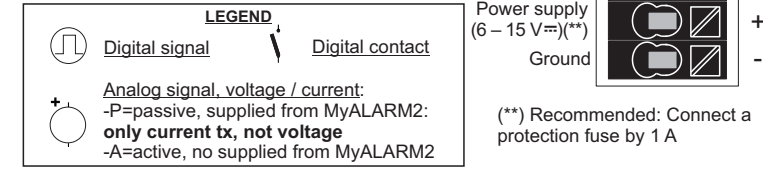
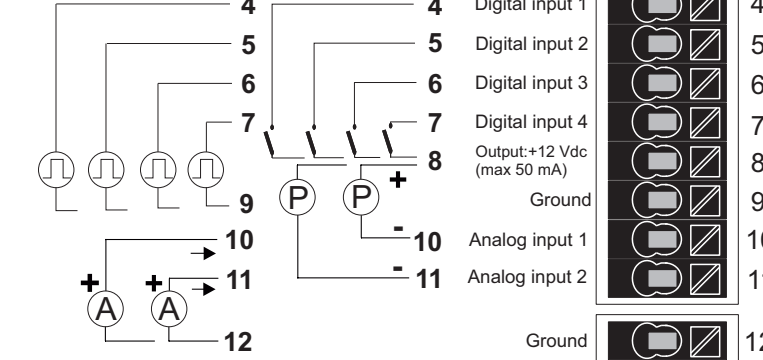


(*) The outputs are available only with optional board with relays

Digital output 1 - relay N.O. (*)

Common of the two relays (*)

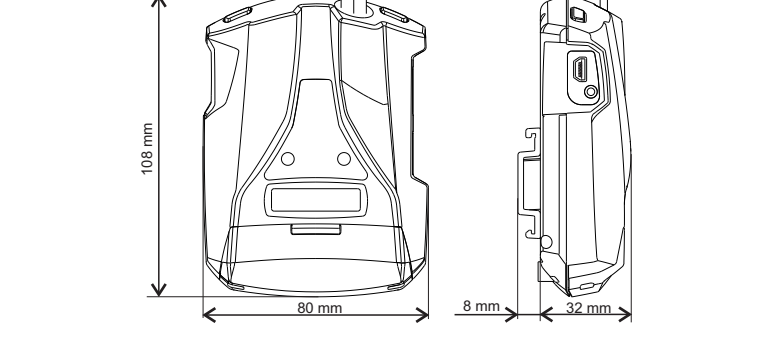
Digital output 2 - relay N.O. (*)



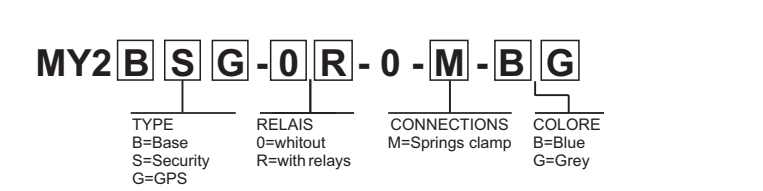
LED signalling

LED	STATUS	Meaning of LEDs
GSM (yellow)	Blinking (slow)	MyALARM2 connected to GSM network
	Blinking (quick)	MyALARM2 not connected to GSM network
PWR (green)	ON	MyALARM2 Power ON
	Blinking (quick)	MyALARM2 access to microSD
	Blinking (slow)	MyALARM2 Data-logging

FRONT VIEW AND LATERAL LEFT SIDE VIEW



OPTIONS



ESEMPIO: «MY2B-R-0-M-G» code for MyALARM2 Base unit with 2 relay outputs, with spring clamps and case color blue.

