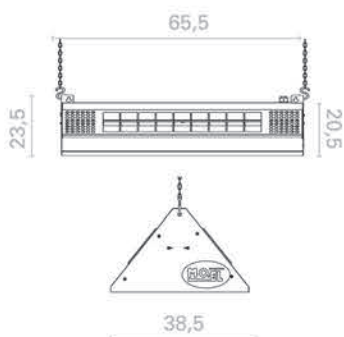


# MO STICK STAINLESS STEEL

ART.372

MADE IN ITALY



36

397-372

SHATTERPROOF LAMP  
INSTALLATION ON CEILING OR WALL

**NEW** LOW CONSUMPTION ELECTRONIC BALLAST  
(80W POWER ATTRACTION AGAINST 40W ELECTRICAL CONSUMPTION)

TECHNICAL FEATURES	372
Size (mm)	655x385x235 mm (H)
Weight	7,8 Kg
Power supply	220-240V ~ 50-60Hz
Total consumption	40W
UV-A lamps	2x40W Shatterproof
Lamp life	4000 h
Cable	Neoprene
IP rate	IP65
Standard equipment	Small chain-3 adhesive boards
Range of action	15-18m

SPARE LAMP

000788



IP65



CE



Designed for large environments that require high hygienic conditions.

## STRUCTURE

The item is completely made of stainless steel AISI 304, welded and treated for environments where food is prepared. In order to protect it against water jets and dust, the item is equipped with watertight lamp holder, cable and rubber plug with watertight cable duct, gasket between bodywork and lid.

MO-STICK is a trap that ensures the monitoring of the captured insects. Characterized by a clean and elegant design, it is extremely simple to clean and to substitute the adhesive papers (this item comes with a starting kit of 4 glue boards). MO-STICK can be hung thanks to two practical chains, or simply installed on the wall.

## LAMPS

The two powerful shatterproof UV-A lamps with power of 40W are installed on a watertight lamp holder and are equipped with a sheath for the protection of the tube: In the event of glass breakage, glass does not disperse in the environment and at the same time the phosphors do not leak. The sheath is perfectly transparent to U-VA rays.

## SAFETY

Approved by IMQ in IP65 class and CE compliant.

